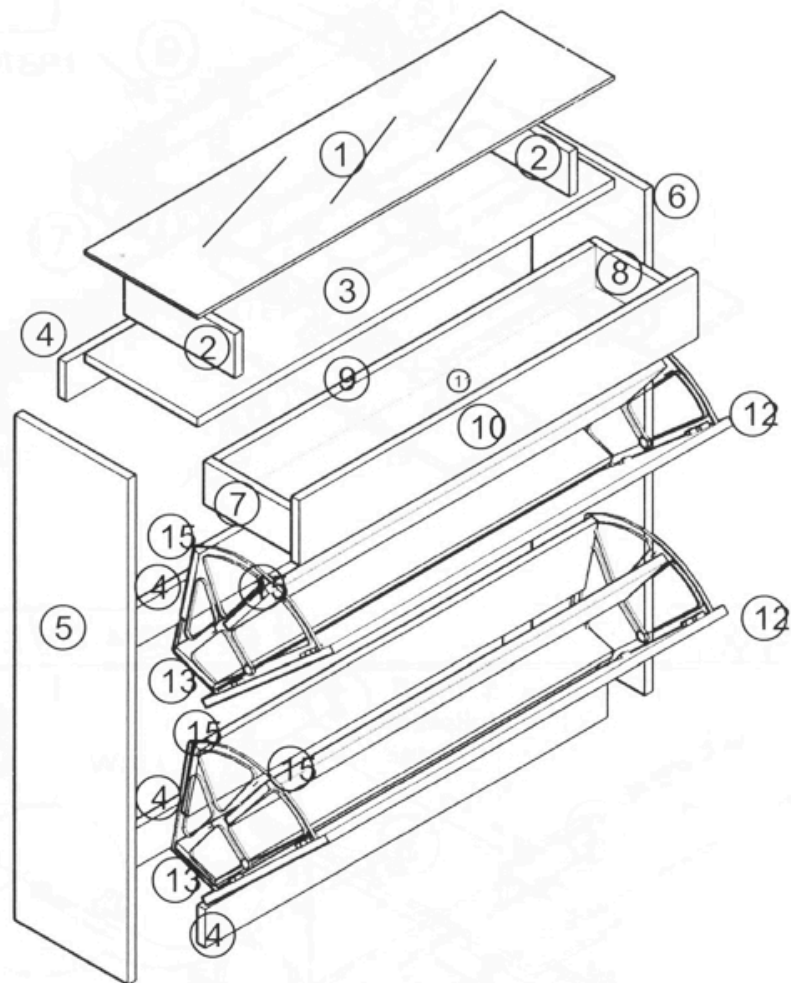
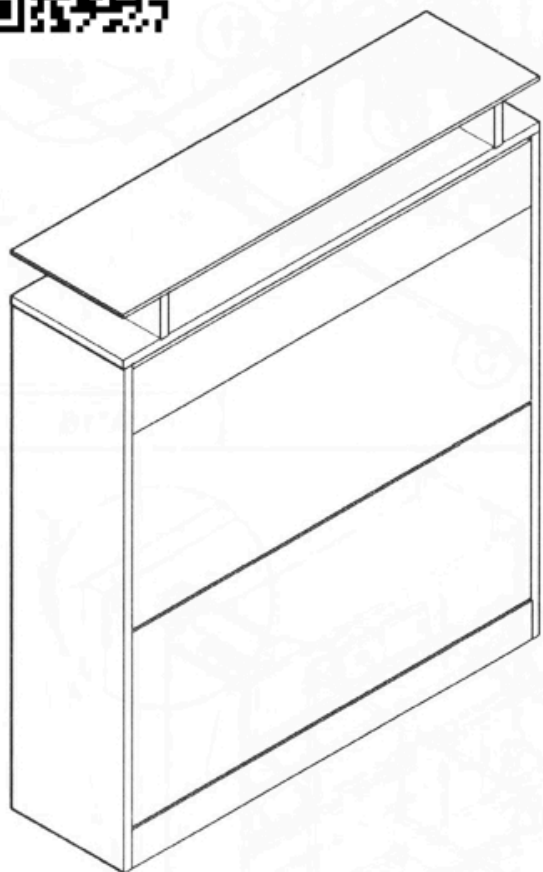


RESD002

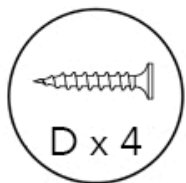


A 24PCS	B 8*40 2PCS	C C1 x4 C2 x4 C3 x4 4PCS	D 3.5*14 32PCS	E 1PCS	F 2PCS	G 7*50 4PCS	H 3.5*35 4PCS	I 4PCS	J 96MM 3PCS	K 4*14 4PCS	L 4*18 2PCS	M 5*10 4PCS	N 1PCS	O 2PCS
-----------------------	---------------------------	---	------------------------------	----------------------	----------------------	---------------------------	-----------------------------	----------------------	---------------------------	---------------------------	---------------------------	---------------------------	----------------------	----------------------

1



C1x4



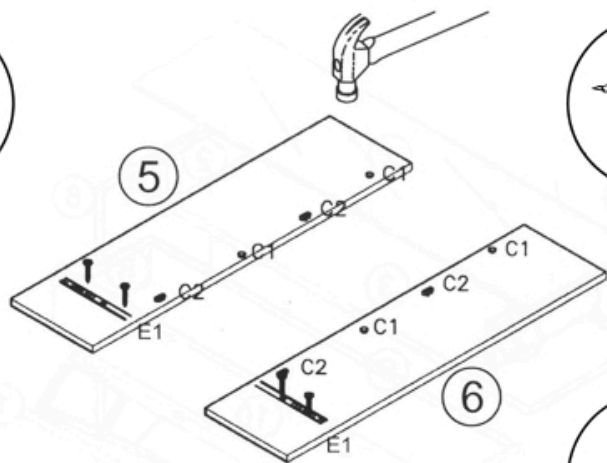
D x 4



C2x4

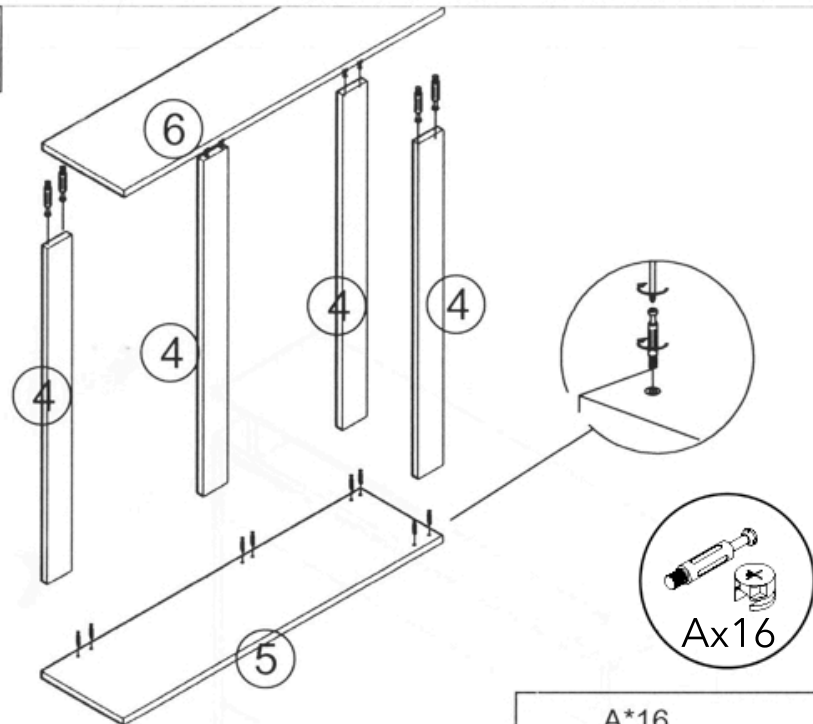


E1x2



C1*4 C2*4 D*4 E1*2

2



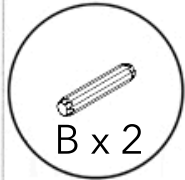
Ax16

A*16

3



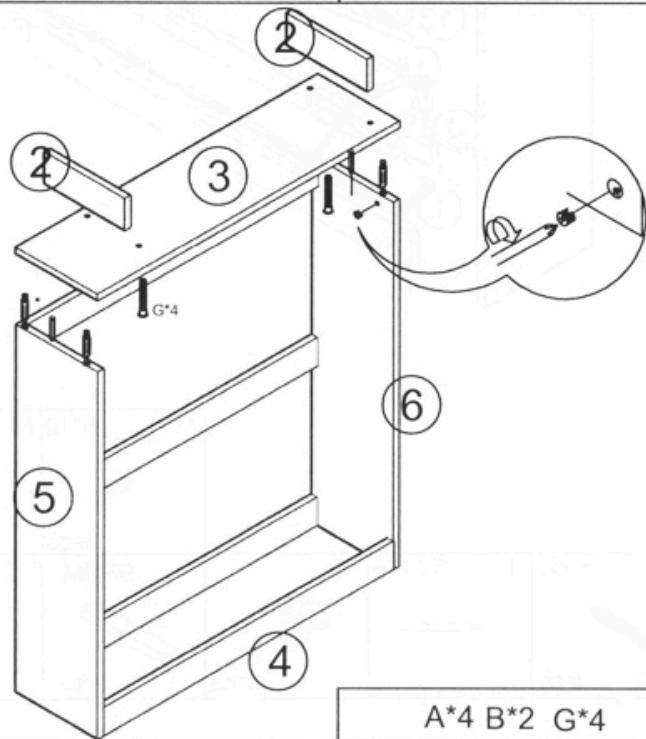
A x 4



B x 2

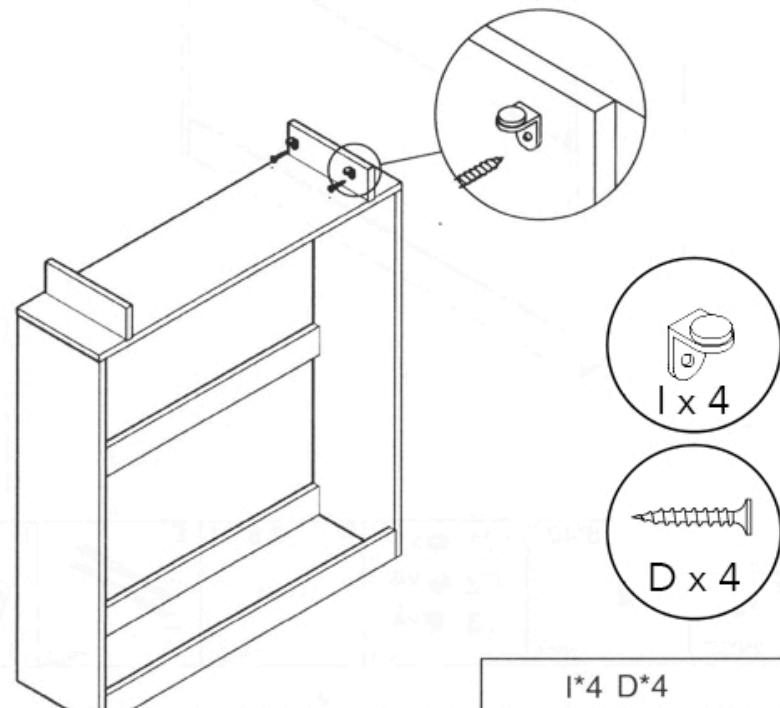


G x 4

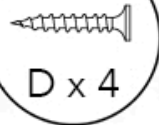


A*4 B*2 G*4

4



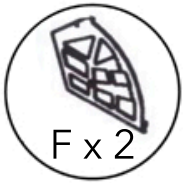
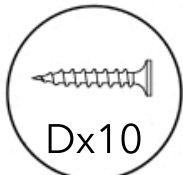
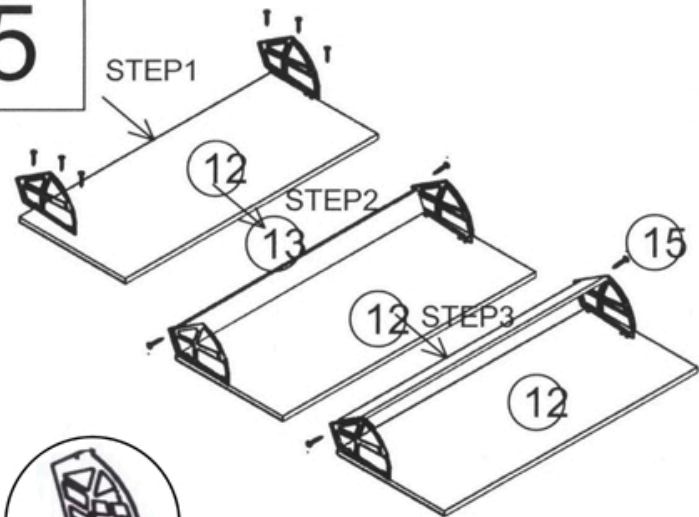
I x 4



D x 4

I*4 D*4

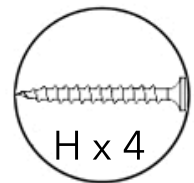
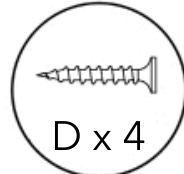
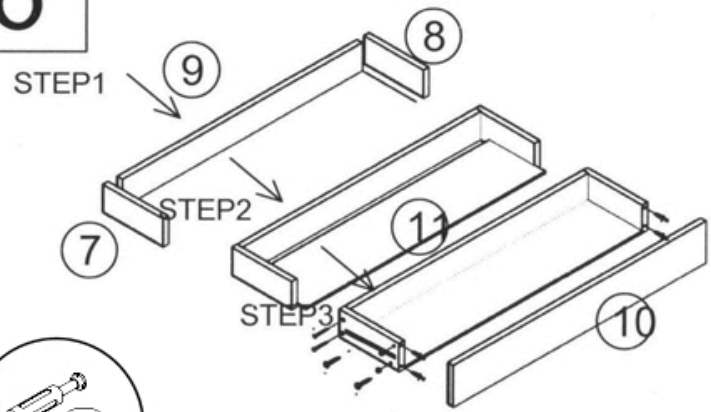
5



X2

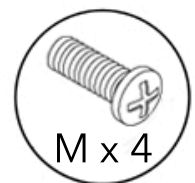
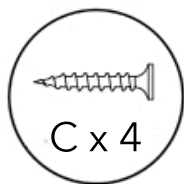
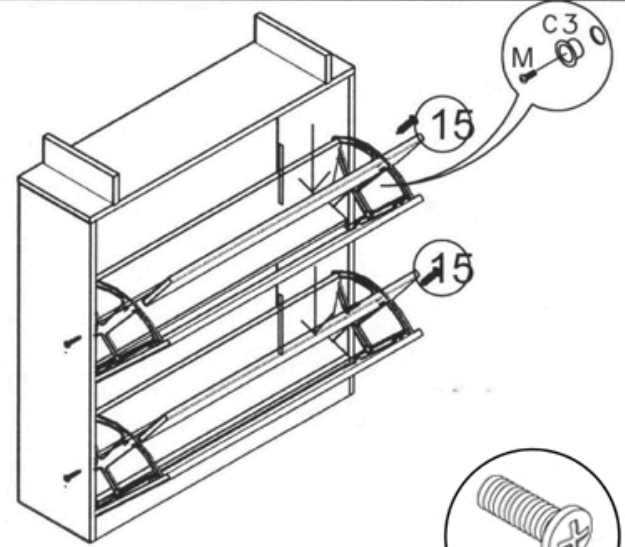
D*10 F*2

6



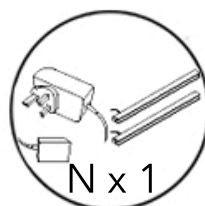
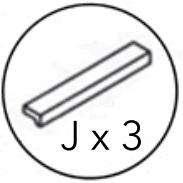
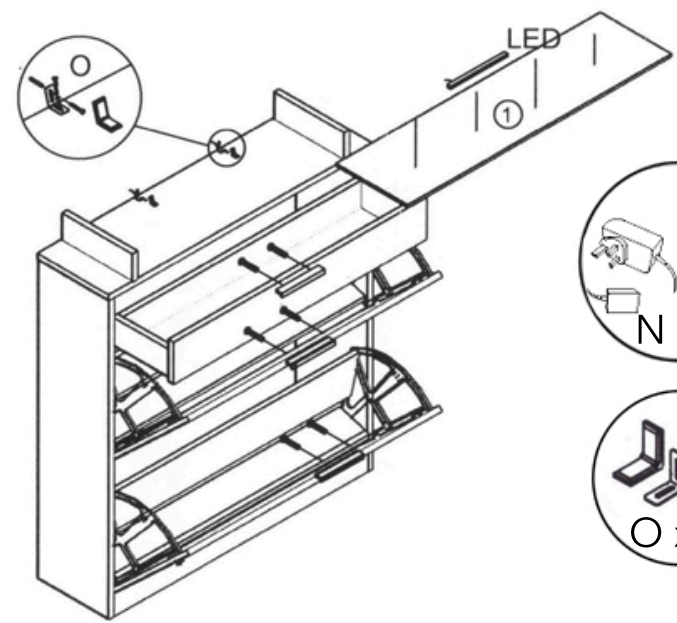
A*4 D*4 E2*2 H*4

7



C3*4 D*4 M*4

8



J*3 K*4 L*2 N*1 O*2